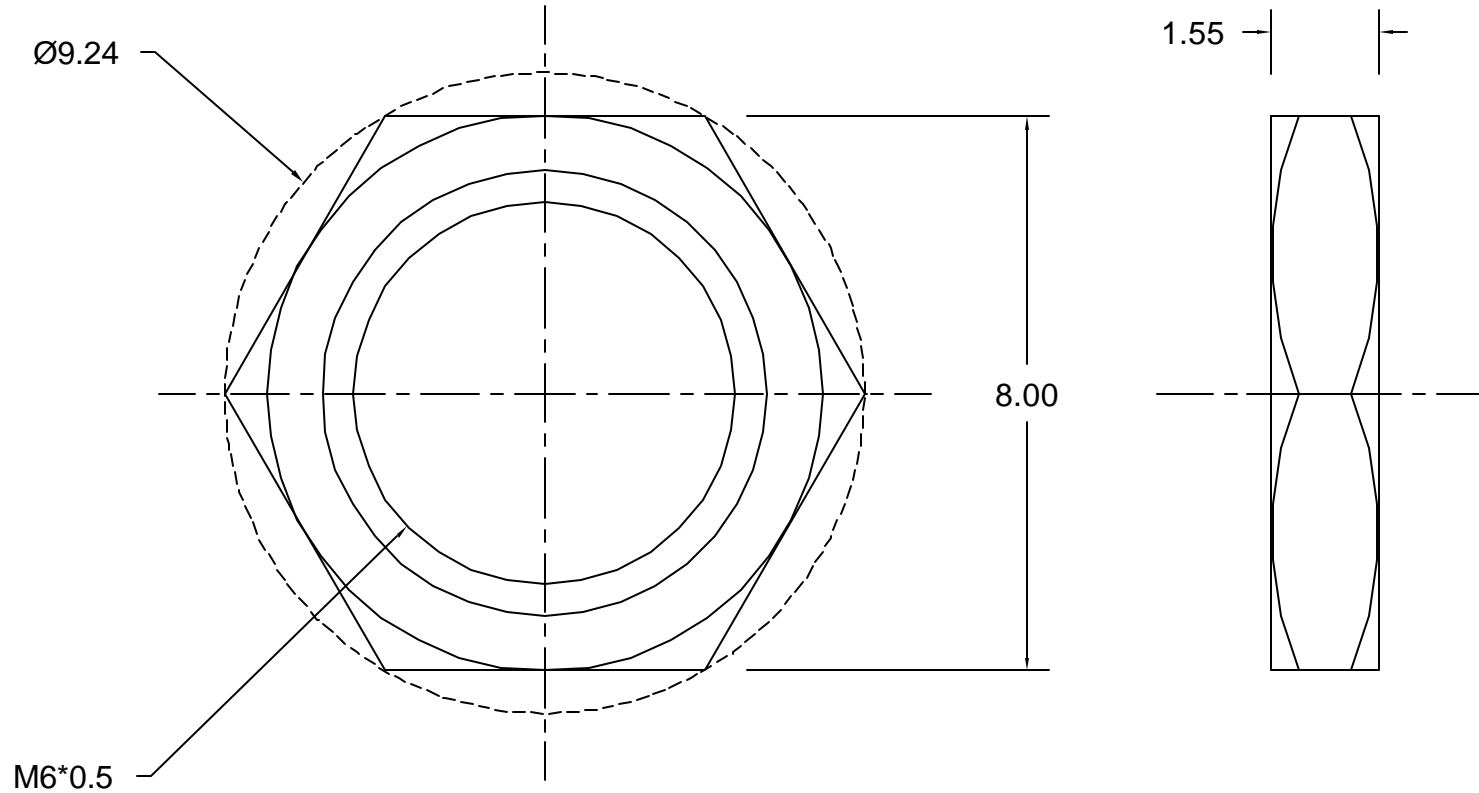


KYCON, Inc. 1810 Little Orchard Street, San Jose, CA 95125 (408)494-0330

Material: Copper Alloy  
Finish: Nickel



M6\*0.5

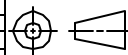
Tolerances
X.X ± 0.25
X.XX ± 0.15
Unless Stated Otherwise

**RoHS COMPLIANT**  
EU Directive 2002/95/EC

REV.	DATE	DESCRIPTION	REV. BY	CHK. BY	DRAWN BY	DATE
A1	02/22/06	New Drawing	R. Aguirre	H. MA	R. Aguirre	02/17/06
A2	03/04/08	ECO #08-013	R. Aguirre	H. MA		

**HNX-M6-50**

**Hexagonal Nut, RoHS Compliant**  
**for ST Series Stereo Jacks**



UNITS  
mm