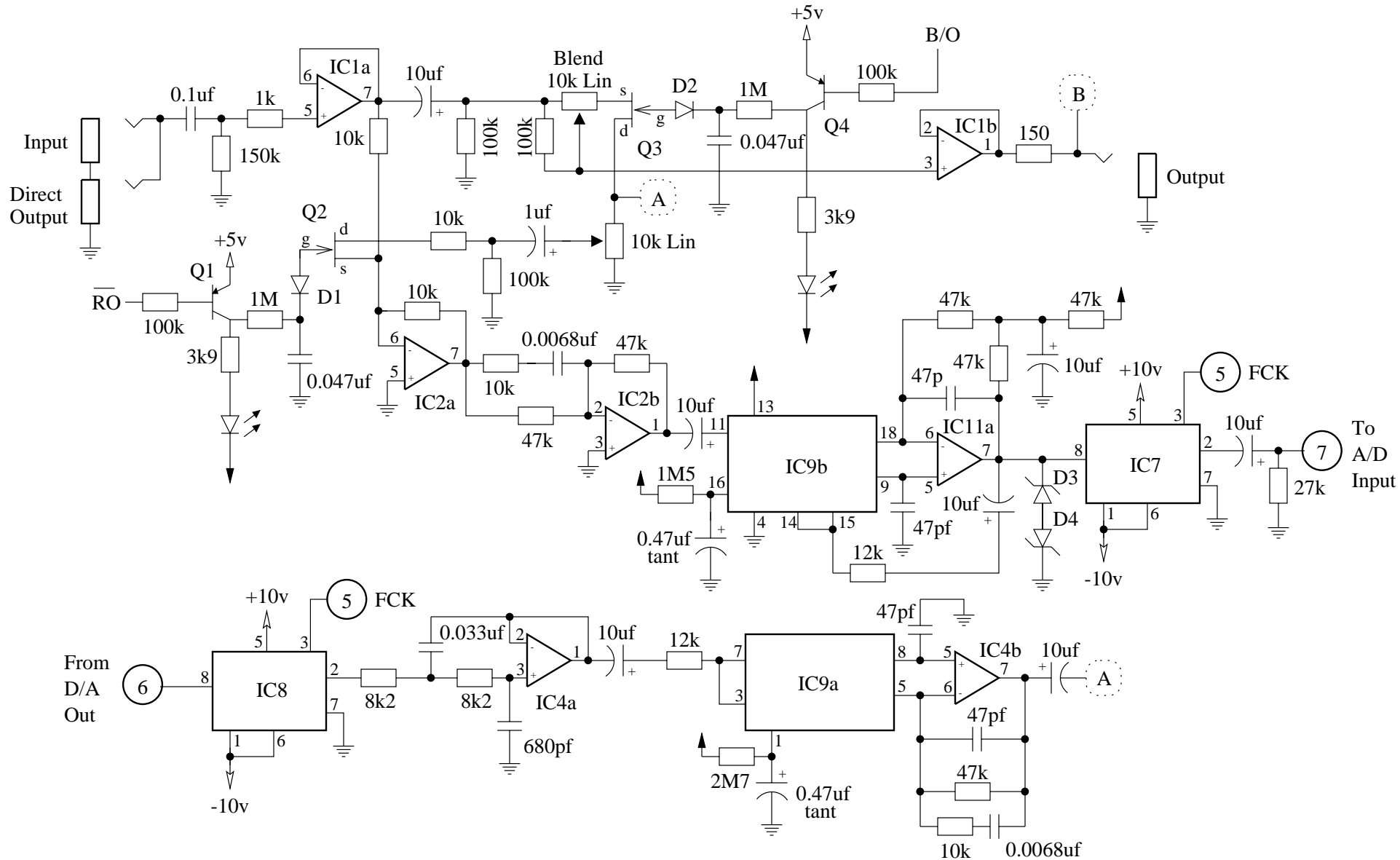
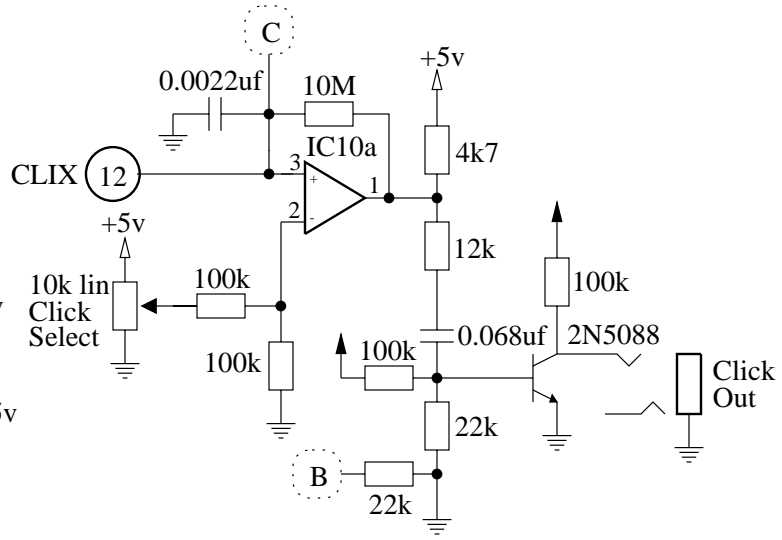
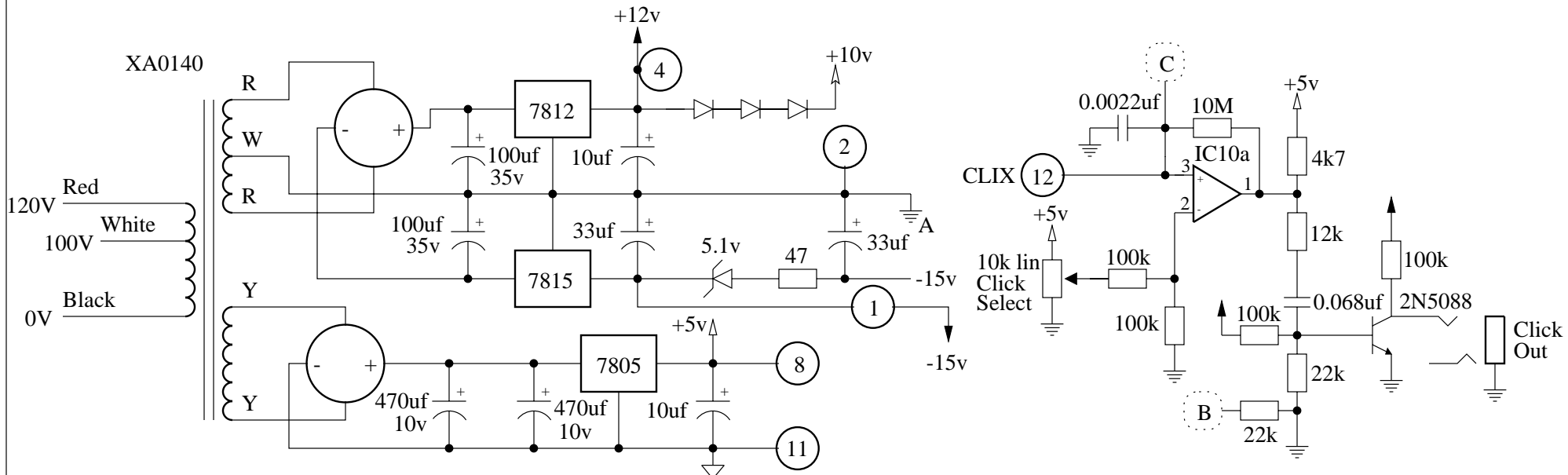


- | | | |
|------------------|---|-----------------------|
| IC1 - TL082 | IC9 - 571 | IC7, IC8 - Unmarked ? |
| IC2 - 4558 | IC11, IC4 - Unmarked Dual Op-Amp, probably a 4558 | |
| Q1, Q4 - 2N5087 | D1, D2 - Signal Diode ? | |
| Q2, Q3 - 2N4859A | D3, D4 - 6.8v Zener | |





Resistors marked # are 1% types.
 IC10 - LM358
 IC12 - unmarked, CD4049 perhaps?
 +12v to pin 8 on IC1, IC2, IC4, IC5, IC6, IC10, IC11, IC43, & IC44 pin 13 on IC9, & IC3
 +10v to pin 5 on IC7, & IC8
 +5v to pin 20 on the ADC0804 a pin # I couldn't read on IC12 pin 14 on IC13, IC14, & IC21 through IC24 pin 16 on IC15 through IC18 pin 3 on IC19 pin 8 on IC20, & IC30 through IC41 pin 20 on IC27, & IC42 pin 5 on IC28 pin 12 on IC29, & IC3 pin 7 on IC44 pin 9 on IC19
 -15v to pin 4 on IC1 through IC4, IC10, IC11, IC20, IC43, & IC44 pin 17 on IC42
 -10v to pins 1 & 6 on IC7, & IC8

All diodes were unmarked.

