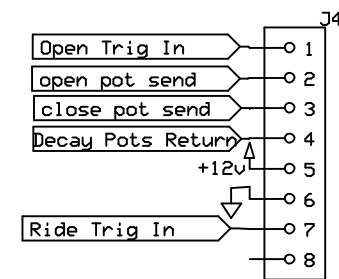
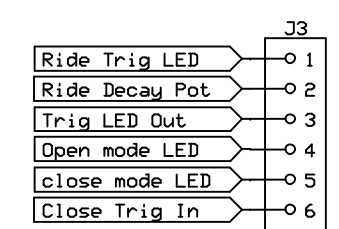
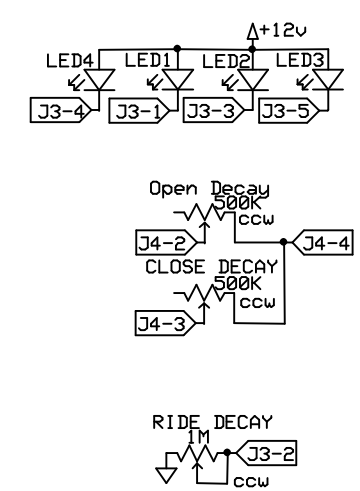
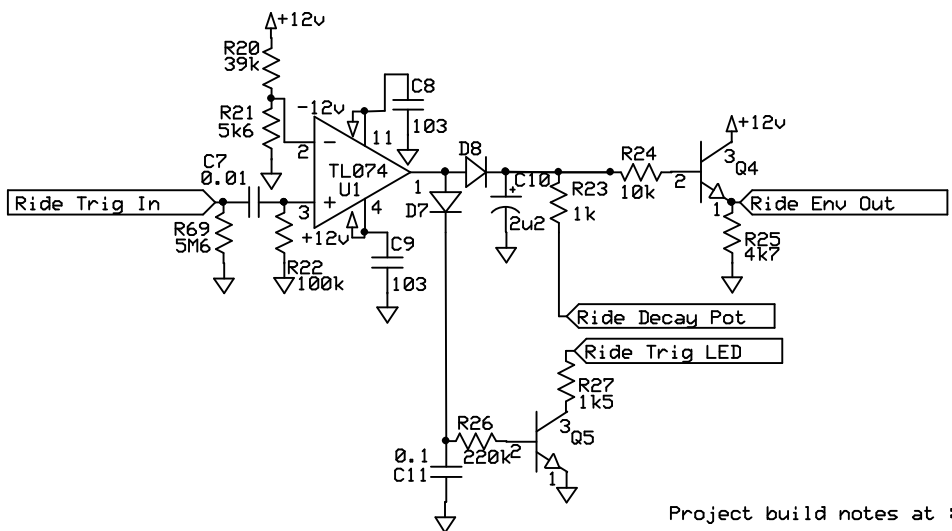


FRONT PANEL CONTROLS



NOTE: CIRCUITRY ON THIS PAGE DESIGNED BY THOMAS HENRY
 (see Clangora and "The Electronic Drum Cookbook")



Triggers and Envelopes		
Monkey Cymbals +		
Dan Lavin	Rev 1.0	Page 1
	March 2, 2012	